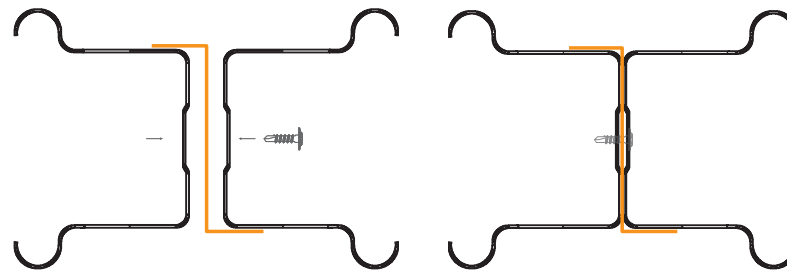
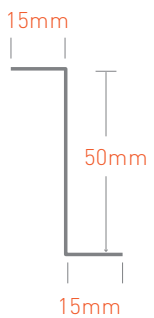
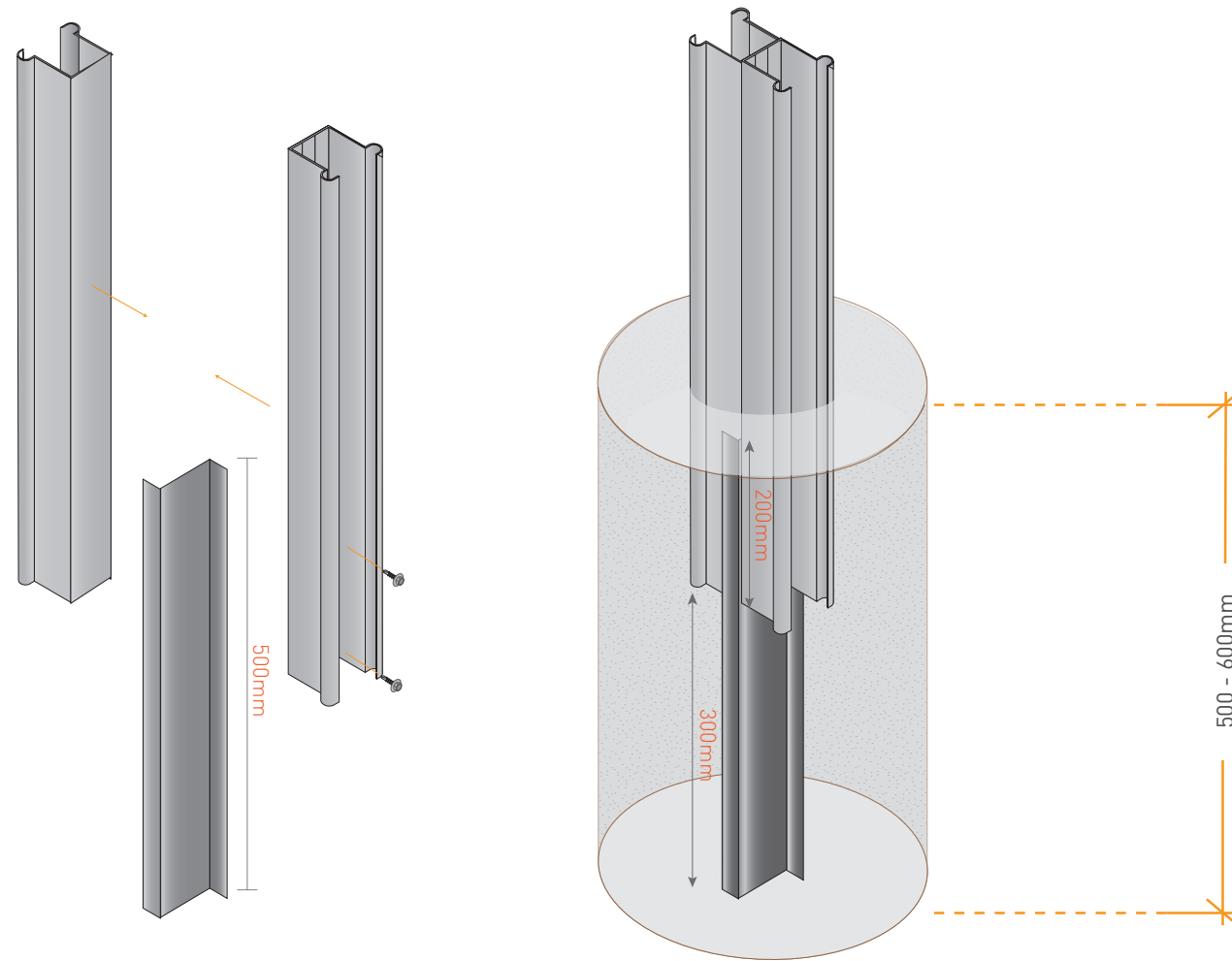


## STANDARDS

- AS1397 Formability & Structural Grades of Steel:
  - Posts & Rails 0.8mm / Infill Sheets 0.35mm Base Metal Thickness (BMT)
- AS2728 Coated Mass & Paint Film Thickness

## POST EXTENSION

- 0.55mm Galvanised Steel Section
- 50 x 500mm
- 15mm Folded Opposing wings
- Allows up to 300mm of extension of channel posts
- Fix using 2 x 10-16\*16 Tek Screws (Sold Separately)



BACK TO BACK POST EXTENSION DETAIL

TITLE: COLORBOND® COLOURSMART  
POST EXTENSION  
SPECIFICATIONS

CONTACT: [sales@oxworks.com.au](mailto:sales@oxworks.com.au)

[oxworks.com.au](http://oxworks.com.au) 📍 1300 336 237